

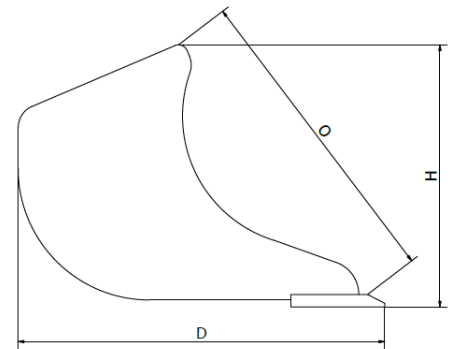
Guideline data for Compacttilt

Guideline maximum breaking force data for Compacttilt

Breaking force data Compacttilt	Measured on bucket	Measured on the boom
CT1	Knm 13,9	Knm 6,9
CT2	Knm 21,2	Knm 14,8
CT3	Knm 30,7	Knm 20,6
CT6	Knm 54,2	Knm 34,6
CT10	Knm 62,1	Knm 38,4
CTR2	Knm 21,2	Knm 14,8
CTR3	Knm 30,7	Knm 20,6
CTR6	Knm 54,2	Knm 34,1
CTR10	Knm 62,1	Knm 38,4

Recommended maximum bucket sizes

(Guideline in relation to a grading/leveling bucket)	CT1	CT2/CTR2	CT3/CTR3	CT6/CTR6	CT10/CTR10
Max Width	800 mm	1000 mm	1200 mm	1400 mm	1500 mm
Max Volume	60 L	90 L	170 L	335 L	370 L
Max opening	350 mm	420 mm	520 mm	600 mm	680 mm
Max Depth	410 mm	470 mm <td 600 mm	840 mm	850 mm	
Max Height	310 mm	340 mm	430 mm	520 mm	530 mm



Hydraulic flow

	CTR2	CTR3	CTR6	CTR10
Liter/min	10-15	25-35	30-50	40 (w. highflow 80)